

EMT - NEMA 56C Motors YSN Series, 3 Phase YCYN Series, 1 Phase



- ✓ Rolled Steel frame with Cast Alloy endshields.
- ✓ B56 feet and with NEMA 56C face flange.
- ✓ TEFC, IP55 enclosure.
- ✓ Class "F" insulation.
- ✓ Shaft Dia = 5/8"
- ✓ Nema Face Flange dimensions:
Dimension N = 114.3mm
PCD = 149.2mm

Available Ratings

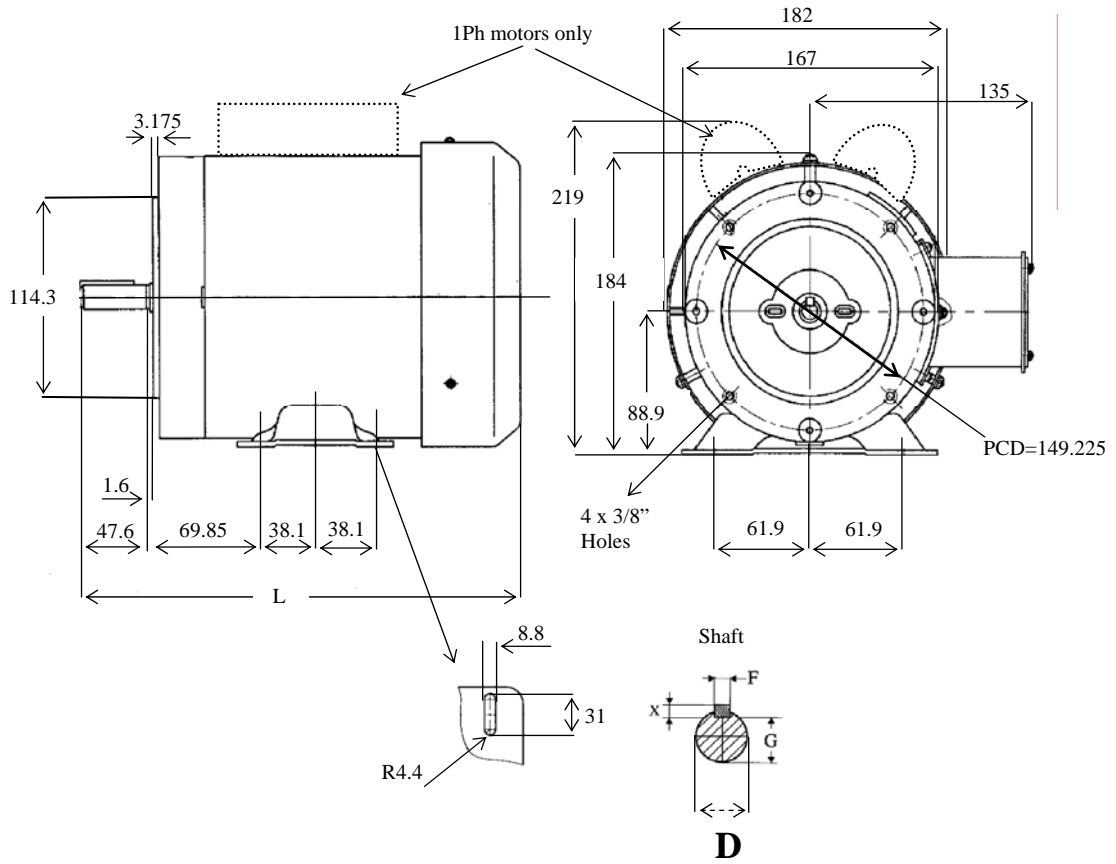
| Single Phase 240V 50Hz Cap start / Cap run | |
|--|-------------|
| TYPE | Rating - KW |
| 2 Pole (2850 Rpm) | |
| YCYN56 2D-1C | 0.75 |
| YCYN5662D-1C | 1.1 |

| Three Phase 415V 50Hz | |
|--|-------------|
| TYPE | Rating - KW |
| 2 Pole (2850 Rpm) | |
| YSN5632G-1B | 0.75 |
| YSN5642G-1B | 1.1 |

| | |
|--------------------------|------|
| 4 Pole (1420 RPM) | |
| YCYN5664D-1C | 0.75 |
| YCYN56 4D-1C | 1.1 |
| YCYN5694D-1C | 1.5 |

| | |
|--------------------------|------|
| 4 Pole (1420 RPM) | |
| YSN5644G-1B | 0.75 |
| YSN5654G-1B | 1.1 |
| YSN56 4G-1B | 1.5 |

EMT – Nema 56C
Dimension Print



| Phase | Type | KW | Pole | L | D | G | F | X |
|-------|------|------|------|-----|--------|-------|-------|-------|
| 1 | YCYN | 0.75 | 2 | 317 | 15.875 | 13.09 | 4.762 | 4.762 |
| | | 1.1 | 2 | | | | | |
| | | 0.75 | 4 | 305 | | | | |
| | | 1.1 | 4 | 342 | | | | |
| | | 1.5 | 4 | | | | | |

| | | | | | | | | |
|---|-----|------|---|-----|--------|-------|-------|-------|
| 3 | YSN | 0.75 | 2 | 278 | 15.875 | 13.09 | 4.762 | 4.762 |
| | | 1.1 | 2 | | | | | |
| | | 0.75 | 4 | 290 | | | | |
| | | 1.1 | 4 | | | | | |
| | | 1.5 | 4 | | | | | |

All dimensions are in mm & subject to change without notice.

EMT Pty Limited
ABN 40 060 616 220

Phone: 1300 139 181
Fax: (02) 9838 8421

sales@emtmotor.com.au
www.emtmotor.com.au

Authorised Distributor: